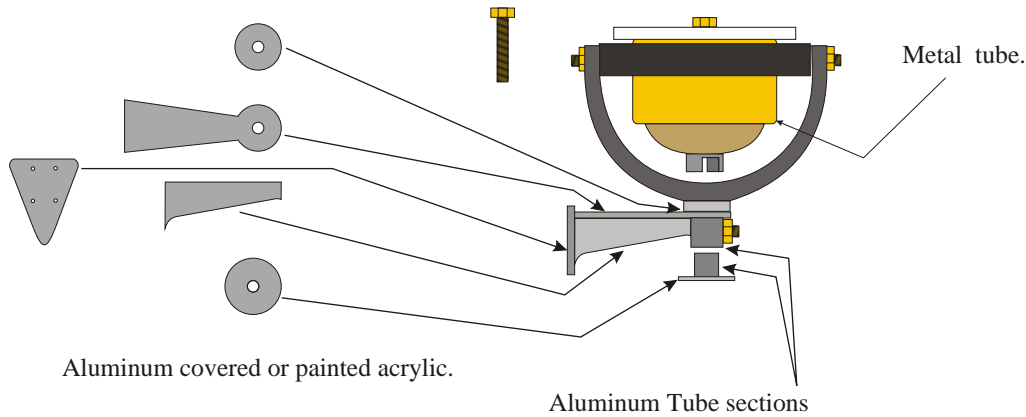
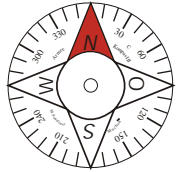


Compass Details

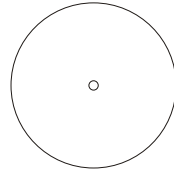
(Not to scale)



Printed Face

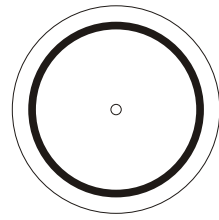


Face mounting plate



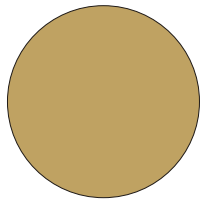
Clear Lens

(place groove to brass tube)



Scrap Aluminum tube
File slot and glue to wood ball.
Not included in kit

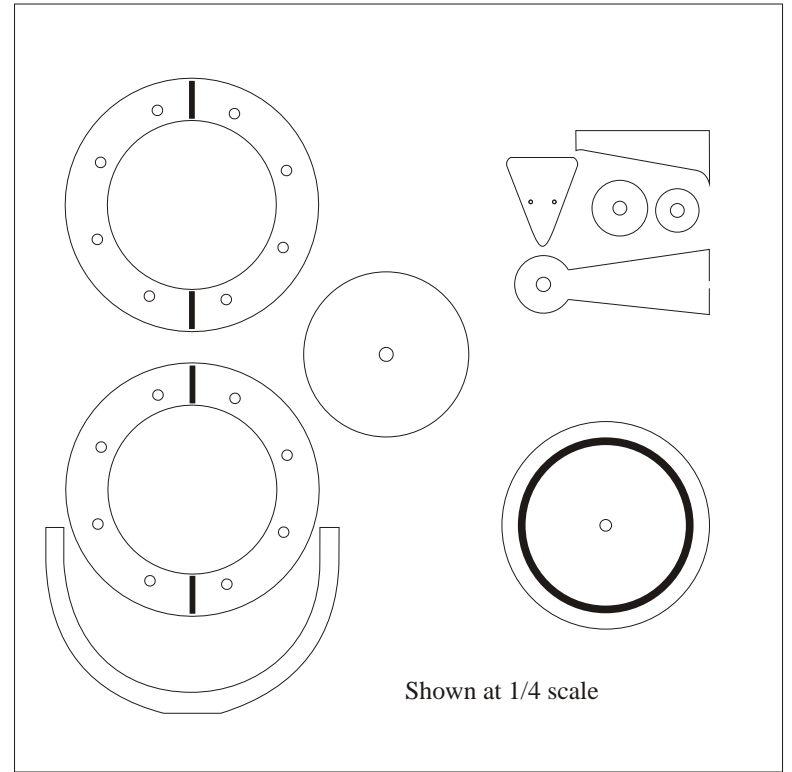
Mounting ring
(place grooved surfaces
to each other)



Wood disk*

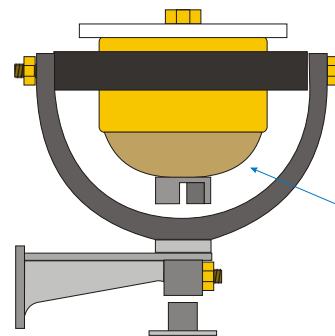
Aluminum covered acrylic.
Cover or paint to aluminum.

*Wood ball
Sand to shape and glue in place.
(Paint black)
Wood Balls are not included in all
kits sizes. Bottom dome can also be
made from scrap basswood or balsa.

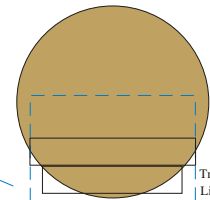


ACRYLIC

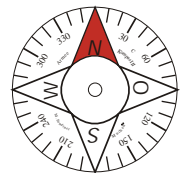
ACTUAL SIZE
1 / 4 SCALE



Optional Hardware
12 sets required
or you can use the trimmed
heads of small nails.



Wood ball*
or wood disk



High Resolution Print

Navigation Compass (German)

ARIZONA MODEL AIRCRAFTERS

A registered trademark of Prototype Production and Engineering Inc.
14795 North 72nd Way and 8504 Scottsdale Arizona 85260

SCALE ASSEMBLY DIAGRAM



SHEET 1 of 1

Copyright 1997 by Arizona Model Aircrafters a registered trademark of Prototype Production and Engineering inc.